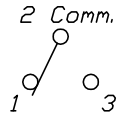


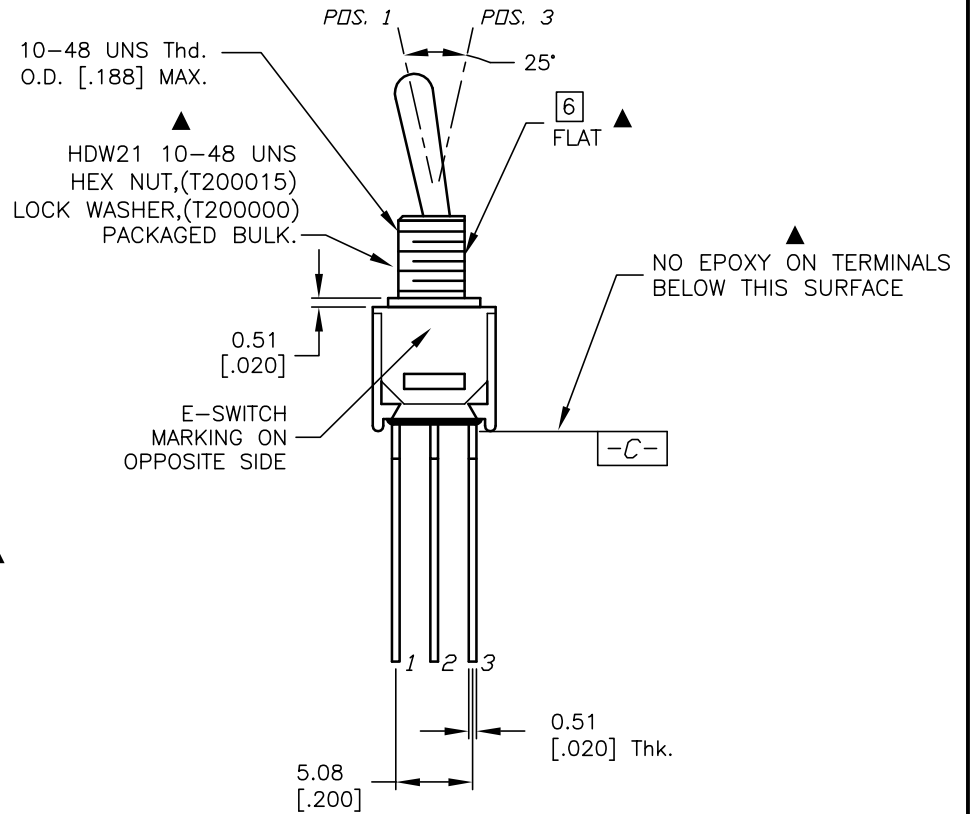
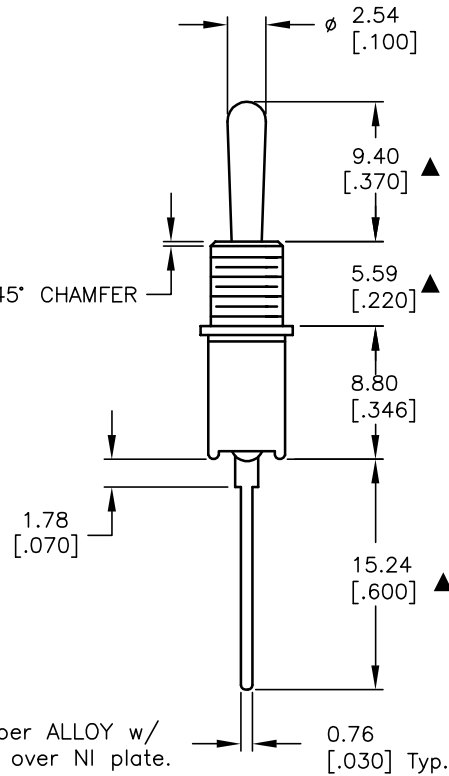
▲ SWITCH FUNCTION		
POS. 1	POS. 2	POS. 3
OFF	NONE	ON
2-3	OPEN	2-1



CIRCUIT: SPDT
CONTACT CONFIGURATION

NOTES:

1. ALL DIMENSIONS IN MM [INCH]
2. GENERAL TOLERANCE: X.X=±0.4
X.XX=±0.25
3. TERM. NOS. FOR REF. ONLY
4. RATING: 0.4(VA) max. @20V (AC or DC)
- ▲ 5. FIXED TERMINAL & MOVING CONTACT: Copper ALLOY w/
Gold Plate over Ni plate.
- ▲ 6. "ON/OFF", SWITCH POSITION IS RELATIVE TO FLAT.
SWITCH IS SHOWN IN OFF POSITION.
7. ELECTRICAL LIFE: 30,000 make-and-break cycles
at full load.
8. DIELECTRIC STRENGTH: 1,000 V RMS @sea level.
9. OPERATING TEMP.: -40°C to 85°C
- ▲ 10. HARDWARE: PACKAGED BULK WITH SWITCH.
11. ▲ DENOTES CRITICAL PARAMETER.



E-SWITCH®

TITLE					200MSP1T1B1M5RE W/HARDWARE 21				
SCALE	DATE	DR	DWG	REV					
2:1	9/11/03	AR	XT0119A	A					

A	13444	RELEASED FOR PRODUCTION	9/11/03	AR
REV.	ECN No.	DESCRIPTION	DATE	CHKD

THE INFORMATION CONTAINED IN THIS DOCUMENT IS PROPRIETARY TO E-SWITCH AND IS NOT TO BE COPIED OR TRANSFERRED